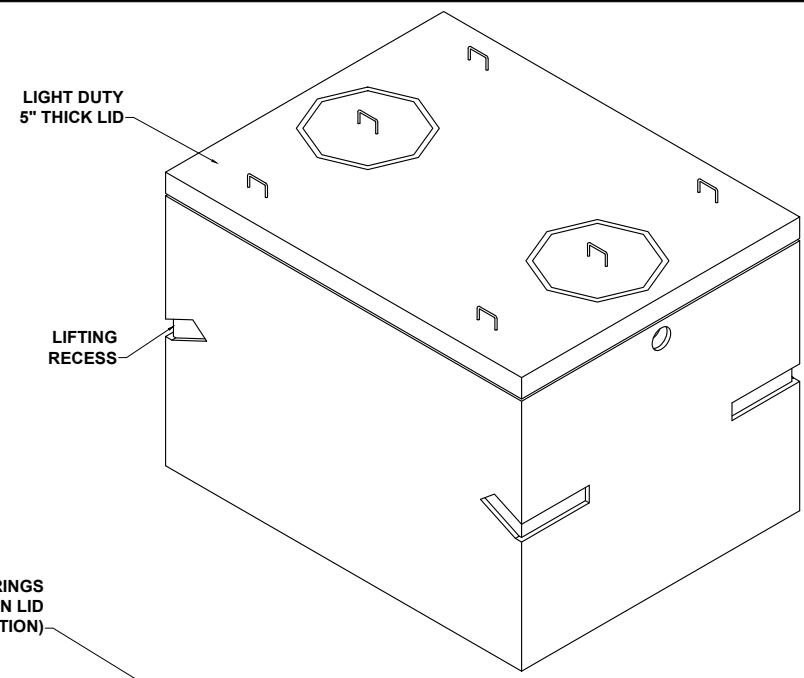
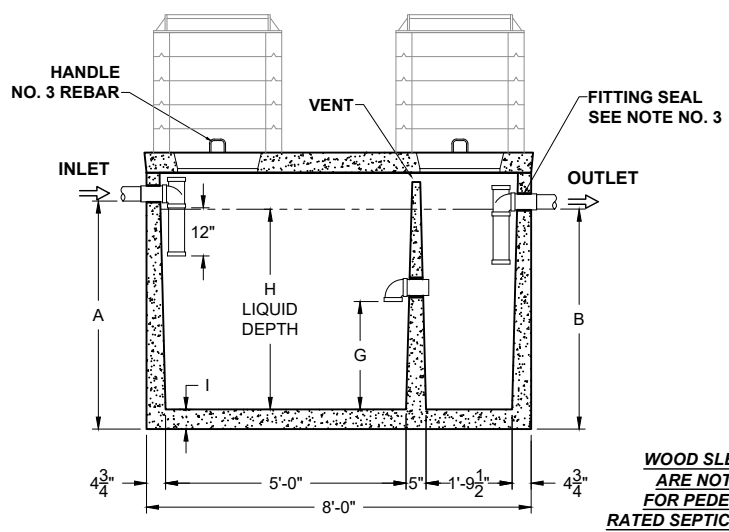


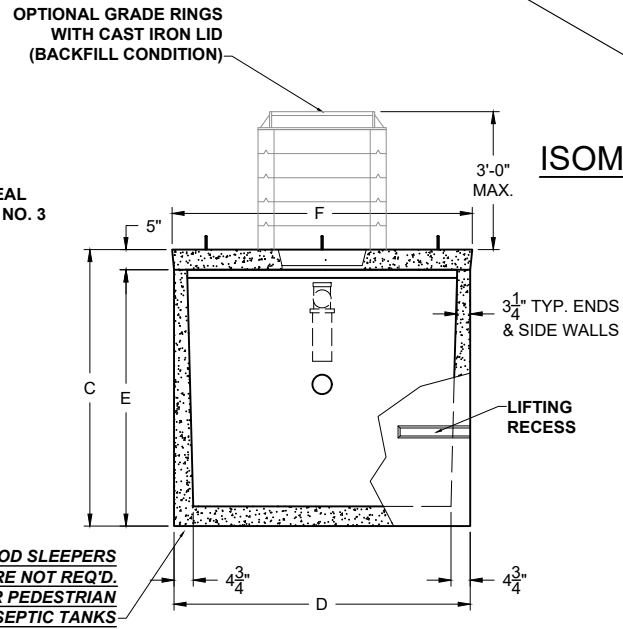
PLAN VIEW



ISOMETRIC VIEW



SECTION THRU "A-A"



**PEDESTRIAN RATED
"LIGHT DUTY"**

ALL DIMENSIONS ARE IN INCHES & WEIGHTS IN LBS - (RISER WT. NOT INCLUDED)											EXCAVATION SPECIFICATIONS			
MODEL	A	B	C	D	E	F	G	H	I	APPROX. WEIGHT	LENGTH	WIDTH	BELOW INLET	TANK HEIGHT
PC S-1-750	38	36	50	74	45	75	19 3/4	31 1/2	4 1/2	11,305	11'-0"	9'-2"	3'-2"	4'-2"
PC S-1-1000	48	46	60	74	55	75	24 3/4	41 1/2	4 1/2	12,660	11'-0"	9'-2"	4'-0"	5'-0"
PC S-1-1250	57	55	69	74	64	75	29 1/4	50 1/2	4 1/2	13,875	11'-0"	9'-2"	4'-9"	5'-9"
PC S-1-1500	60 1/2	58 1/2	72 1/2	85	67 1/2	86	30 3/4	53 1/2	5	16,220	11'-0"	10'-1"	5'-0 1/2"	6'-0 1/2"

PRODUCT NAME:
LD SEPTIC TANK

DESCRIPTION:
750 THRU 1500 GALLONS
PEDESTRIAN RATED

DESIGN SPECIFICATIONS

DESIGN LOAD: PEDESTRIAN (300 PSF)

WITH DRY SOIL CONDITIONS (WATER LEVEL BELOW TANK). SUITABLE SUB-BASE BEDDED WITH GRANULAR MATERIAL SHALL BE PREPARED TO HANDLE ANTICIPATED LOADS. FOR COMPLETE DESIGN AND PRODUCT INFORMATION, PLEASE CONTACT PRO-CAST PRODUCTS.

PRO-CAST PRODUCTS RESERVES THE RIGHT TO MAKE CHANGES TO PRODUCT DESIGN AND/OR DIMENSIONS WITHOUT NOTICE. PLEASE CONTACT PRO-CAST PRODUCTS WHENEVER NECESSARY FOR CONFIRMATION OR ADVICE ON PRODUCT DESIGN.

NOTES:

1. NOT USED
2. REFER TO SPECIFICATION SHEET NOS. S-251 & S-252
3. REFER TO SPECIFICATION SHEET NO. S-201
4. REFER TO SPECIFICATION SHEET NO. S-250

SCALE: DO NOT SCALE
DRAWN BY: TPC 12.20.2024
REVISED BY:
CHECKED BY:
DRAWING NO. S-001